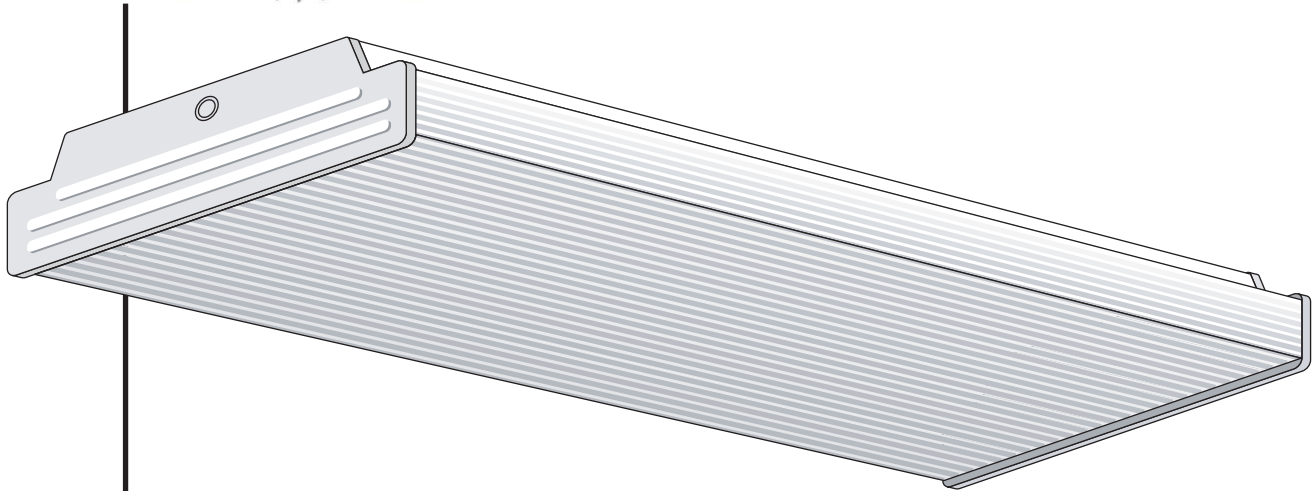


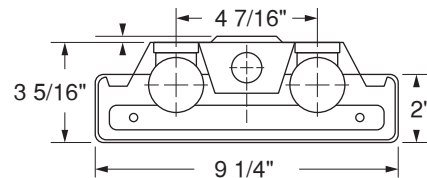


390 Series Wraparound



GENERAL DESCRIPTION

A low-profile, narrow, 2-light fluorescent wraparound. All parts snap together for ease of installation and maintenance. Housing accepts lift-and-shift lenses and frames, as well as frames that fit flush to the ceiling.



Prismatic Diffuser

SPECIFICATIONS

Housing: Die-formed heavy-gauge steel. Side flanges add maximum rigidity.

Ends: Snap-on tightly to the housing. Formed tabs hold two slide-on sockets.

Ballast Cover: Snaps into housing to cover ballast and wires.

Diffuser: Housing accepts lift-and-shift prismatic lenses.

Finish: White polyester polymer with a minimum of 82% reflectivity.

Mounting: Units may be surface or stem mounted, individually or in continuous rows.

Catalog No.	Lamps	Length
390-217	2	24"
390-232	2	48"

NOTES

Dimensions subject to change without notice.

Material: 20 gauge steel - NYC approved.

Fixture options can include: emergency ballast, dimming ballast or dual circuit switching.

390 SERIES WRAPAROUND BACK PLANS

