



# Olivia Lighting

# PBFP

## 2x4 Back-Lit LED Flat Panel

Project: \_\_\_\_\_

Type: \_\_\_\_\_

Notes: \_\_\_\_\_

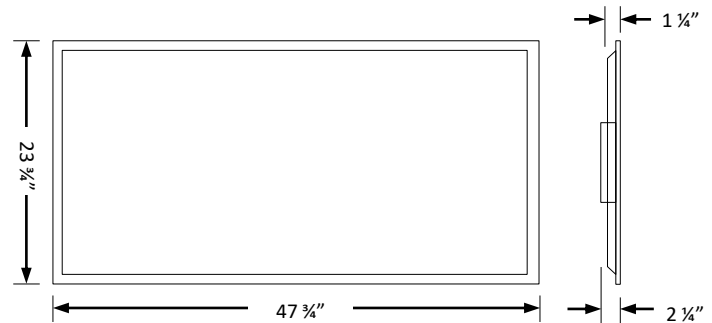
The premium-performance, back-lit LED panel (PBFP) series offers industry-leading lumens per watt, and is DLC Premium listed. The PBFP is designed to deliver general ambient lighting in a variety of indoor settings, including schools, offices, hospitals and stores, and is the perfect choice for both new construction and retrofits. This high-efficacy luminaire provides long-life and uniform illumination, as well as standard 0-10 vdc dimming capability.



### Specifications

- Universal 120-277 AC voltage (50-60Hz) is standard.
- 0-10vdc dimming capability is standard.
- Power factor > 0.90.
- Total harmonic distortion < 20%.
- Color rendering index > 80.
- Aluminum frame and steel housing backplate.
- PMMA (polymethyl methacrylate) acrylic lens with light guide panels for optimal light distribution and efficiency.
- Standard earthquake clips provide secure installation in grid ceilings.
- Standard mounting is recessed into grid ceilings. Optional mounting accessories allow for sheet rock, surface, or suspended mount applications.
- cULus listed for damp locations and insulated ceiling (rated) for use in ambient temperatures from -25°C to 50°C (-13°F to 122°F).
- DLC Standard Listed.
- 5-Year Warranty of all electronics and housing.

### Dimensions



Weight: 9 lbs.



### Ordering Code

Series	Size	LED System	Color Temp	Voltage	Options
<b>MF-PBFP</b>	<b>T24</b>			<b>UNV</b>	
	<b>T24-2x4</b>	<b>50L</b>	<b>35K</b> <b>40K</b> <b>50K</b>	<b>UNV-120/277v</b> (0-10v Dimming Std.)	<b>EM8</b> -800 Lumen EM Pack <b>EM12</b> -1200 Lumen EM Pack <b>EM16</b> -1600 Lumen EM Pack <b>EM20</b> -2000 Lumen EM Pack <b>EM24</b> -2400 Lumen EM Pack <b>SMK</b> -Surface Mount Kit <b>FMK</b> -Flange Mount Kit <b>CMK</b> -Cable Mount Kit

Example: MF-PBFP-T24-50L-35K-UNV-FMK



Project: \_\_\_\_\_

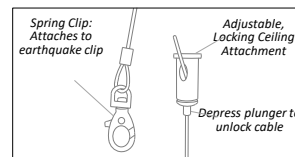
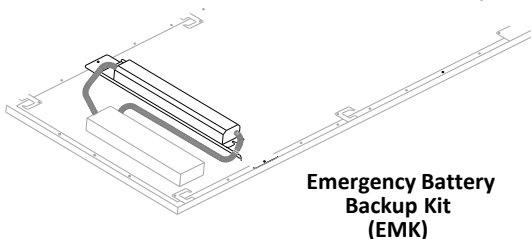
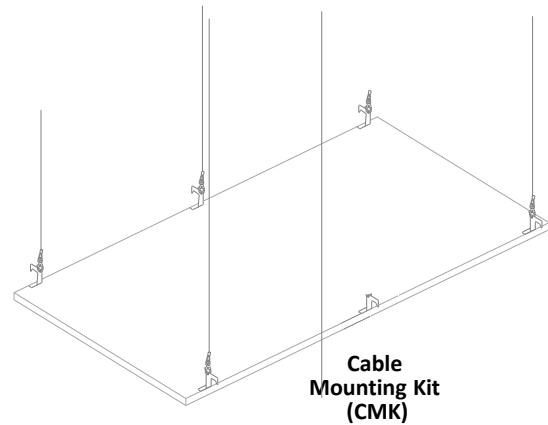
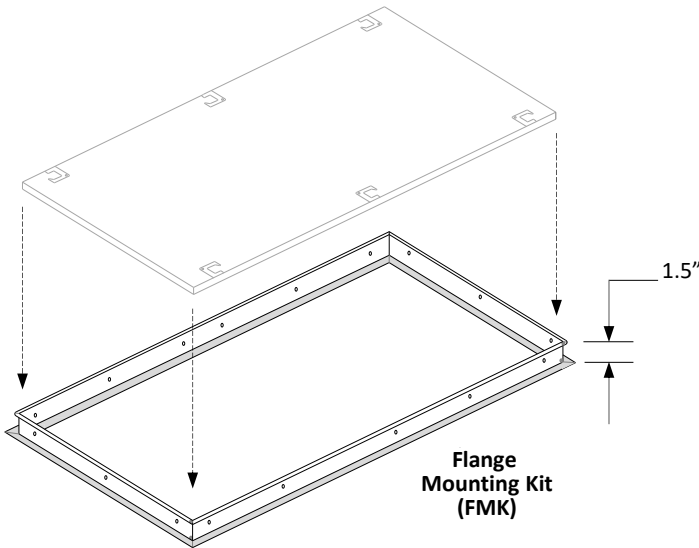
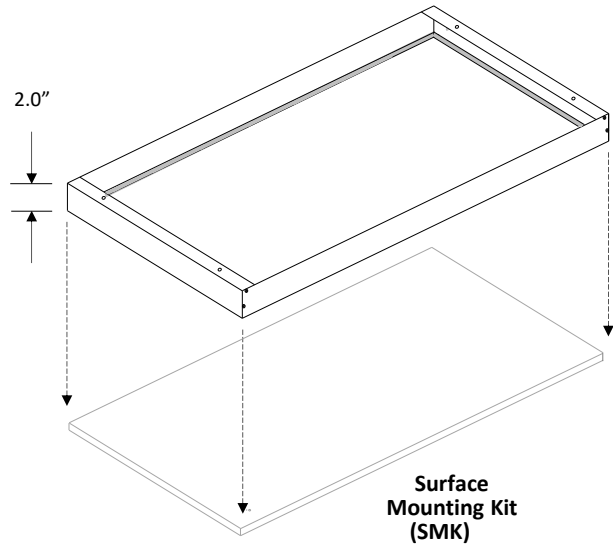
Type: \_\_\_\_\_

Notes: \_\_\_\_\_

# Olivia Lighting

### Options

- *Optional surface mounting kits (SMK) mounts below the ceiling.*
- *Optional flange mounting kits provide for recessed installation on plaster or other hard ceilings. Attach Flange Mount Kit (FMK) to ceiling joists or other stationary structures, and the panel is mounted flush to the ceiling.*
- *Optional cable mounting kits provide additional security, as well as suspended mounting. Attach one end of the Cable Mount Kit (CMK) to luminaire earthquake clips using spring clips, and attach the other end to stationary structures using the adjustable, locking ceiling attachment (see picture below right).*
- *Optional bracket for emergency battery backup unit (EMK) provides structural support to prevent panels from bending the battery backups are installed.*



#### Cable Mount Kit:

- Spring Clip
- Adjustable, locking ceiling attachment



Project: \_\_\_\_\_

Type: \_\_\_\_\_

Notes: \_\_\_\_\_

# Olivia Lighting

### Performance Data

Model	Color Temperature	CRI <sup>1</sup>	Luminaire Lumens	Luminaire Watts	Lumens Per Watt	Input Voltage <sup>2</sup>	Input Current (A)			Power Factor	THD <sup>3</sup>	L <sub>70</sub> Hours <sup>4</sup>
							120V	240V	277V			
MF-PBFP-T24-50L-35K	3500K	> 80	5,240	44	120	120-277	0.37	0.18	0.16	> 90%	< 20%	144,000
MF-PBFP-T24-50L-40K	4000K	> 80	5,282	44	121	120-277	0.37	0.18	0.16	> 90%	< 20%	144,000
MF-PBFP-T24-50L-50K	5000K	> 80	5,323	44	122	120-277	0.37	0.18	0.16	> 90%	< 20%	144,000

<sup>1</sup> Color rendering index.

<sup>2</sup> All 50-60Hz.

<sup>3</sup> Total harmonic distortion.

<sup>4</sup> L<sub>70</sub> refers to the number of hours at which lumen output declines to 70% of the initial level. L<sub>70</sub> hours are IES TM-21-11 calculated hours.

### Photometric Data

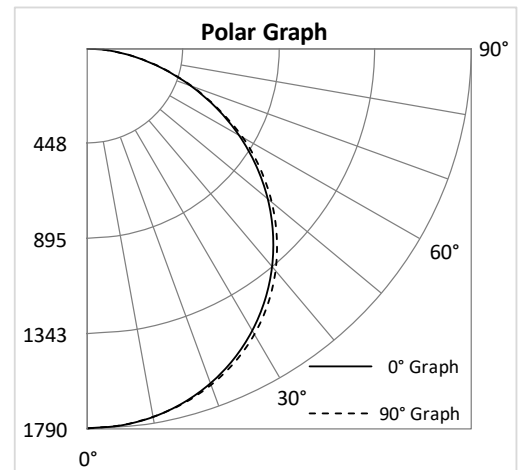
#### MF-PBFP-T24-50L-50K

##### Luminaire Data

Description	2x4 Back Lit LED Panel - 50L 5K
Total Lumens	5,323
Input Wattage	44
Efficacy (lm/W)	122
Spacing Criterion (0-180°)	1.28
Spacing Criterion (90-270°)	1.30

##### Zonal Lumen Summary

Zone	Lumens	%Fixt
0-20°	658	12.4%
0-30°	1,406	26.4%
0-40°	2,318	43.5%
20-50°	2,615	49.1%
40-70°	2,491	46.8%
0-60°	4,143	77.8%
0-80°	5,202	97.7%
0-90°	5,318	99.9%
90-180°	6	0.1%
0-180°	5,323	100.0%





**PBFP**

2x4 Back-Lit LED Flat Panel

Project: \_\_\_\_\_

Type: \_\_\_\_\_

Notes: \_\_\_\_\_

# Olivia Lighting

## Emergency Driver Performance

Emergency Driver Part Number	EM8 -800		EM12		EM16		EM20		EM24	
Model	Watts	EM Lumens	Watts	EM Lumens	Watts	EM Lumens	Watts	EM Lumens	Watts	EM Lumens
MF-PBFP-50L-xxK	5.0	655	7.8	1022	10.7	1402	13.7	1795	17.0	2297

\*Emergency drivers must be remote mounted.

## Dimmer Compatibility

Manufacturer	Model Number	Dimming Range	Load Switching Capacity
Lutron	DVSTV	10%-100%	450W
Leviton	IP710-LFZ	10%-100%	1200W
General Protecht	DMD-LED3-102	10%-100%	600W